

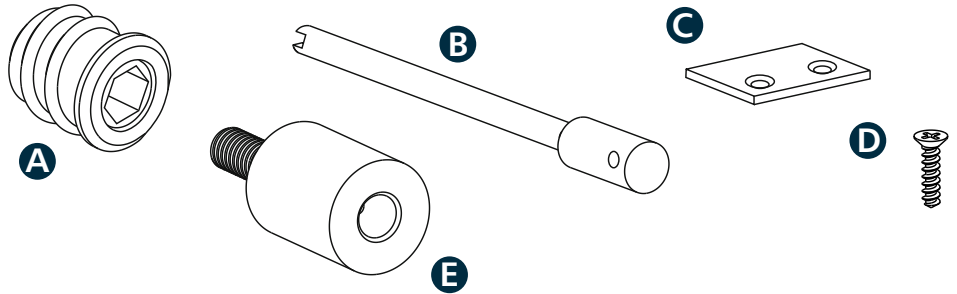


## Installation Instructions

The MigStop is easily fitted. Please read the instructions carefully before installation.  
Pack contains parts for two sash windows.

### Parts List

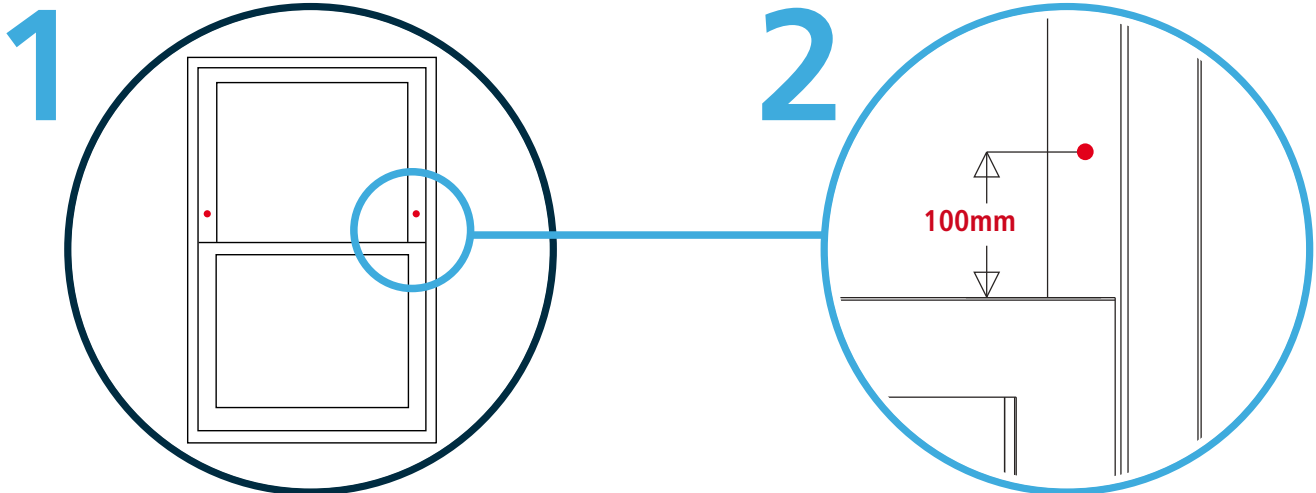
- A 4 x Insert Unit
- B 1 x Key
- C 4 x Strike Plates
- D 8 x Self Drilling Screws
- E 4 x Barrel Unit



**Important:** Consideration should be given before fitting to Egress windows. MigStop barrel is 20mm long & 16mm in Diameter. This device must be fitted in a position that allows no more than a 100mm restricted opening.

Ensure the sash is completely closed and locked before starting the installation.

### Installation

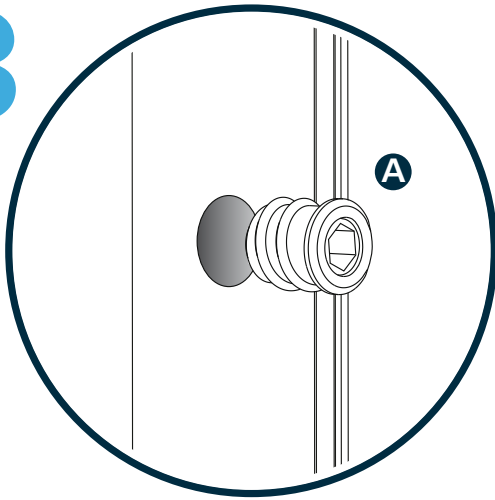


**Important!**  
Close and lock sash before starting installation.  
Measure 100mm up from top of bottom sash and mark window frame as shown above.

Drill a 10mm diameter hole 18mm deep on the marked positions on the top sash.

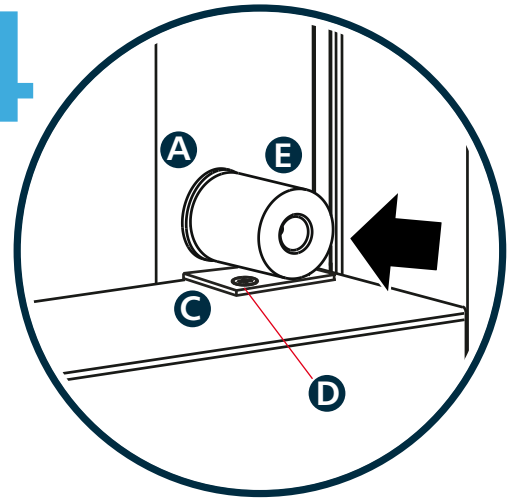
## Installation - continued

# 3



Using a 6mm Allen key, screw the Insert Unit (A) into the holes on both sides of the top sash.

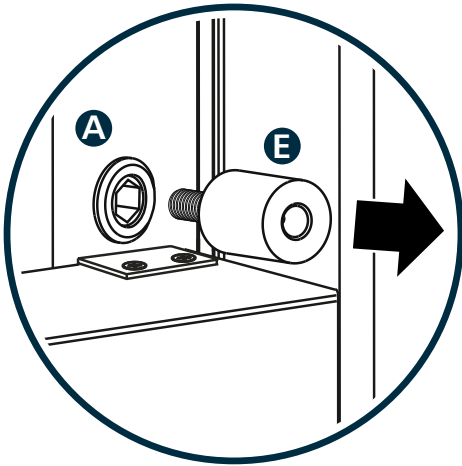
# 4



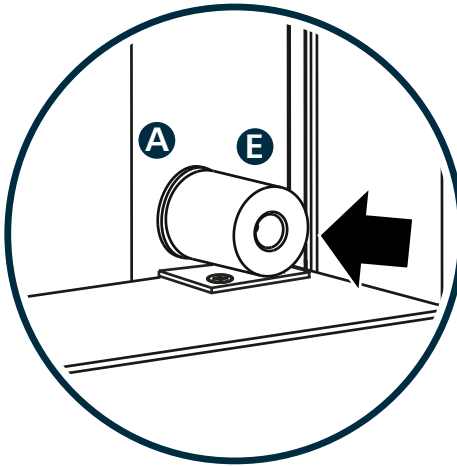
Attach Barrel Unit (E) into Insert Unit (A) using the Key (B) provided and lower the sash. Install the Strike Plate (C) where the Barrel Unit (E) meets the meeting rail using the Screws (D) provided.

## Operation

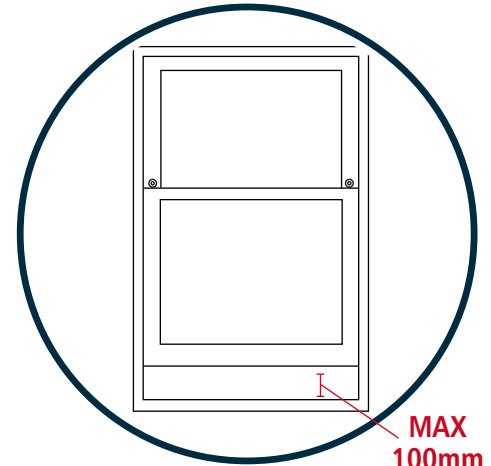
Verify device operates correctly and window opening cannot exceed 100mm.



De-activate MigStop by removing the Barrel Unit (E) from Insert Unit (A) using the key provided (B).



Activate MigStop by attaching Barrel Unit (E) into Insert Unit (A) using the key (B) provided.



The window opening cannot exceed 100mm.

Clean the MigStop with a damp cloth. On a regular basis, ensure the device operates correctly. Consideration should be given before fitting to Egress windows.

Please keep the key in a safe place.