



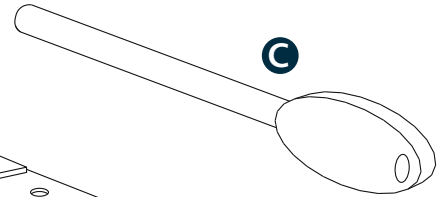
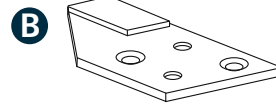
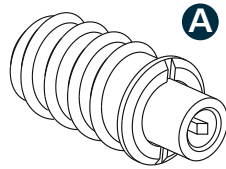
Locking Ventlock

Installation Instructions

The Locking Ventlock is easily fitted. Please read the instructions carefully before installation. We recommend fitting two Locking Ventlock per sash.

Parts List

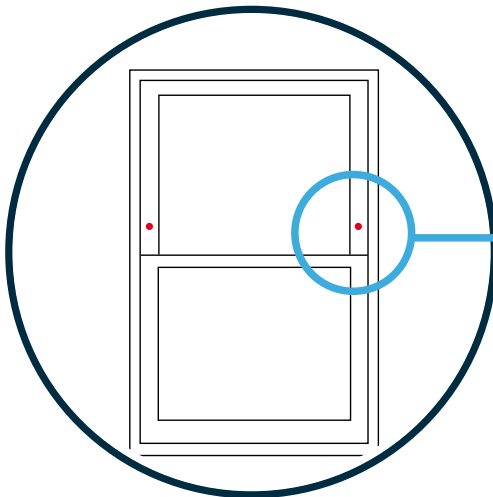
- A 1 x Locking Ventlock
- B 1 x Strike Plate
- C 1 x Key



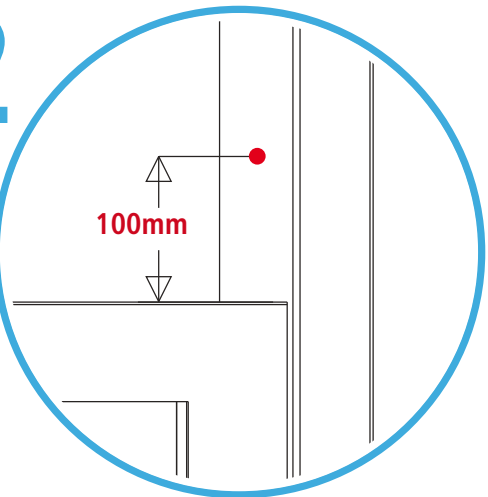
Important: Consideration should be given before fitting to Egress windows. Locking Ventlock projects 9mm when fully out. This device must be fitted in a position that allows no more than a 100mm restricted opening. Ensure the sash is completely closed and locked before starting the installation.

Installation

1



2



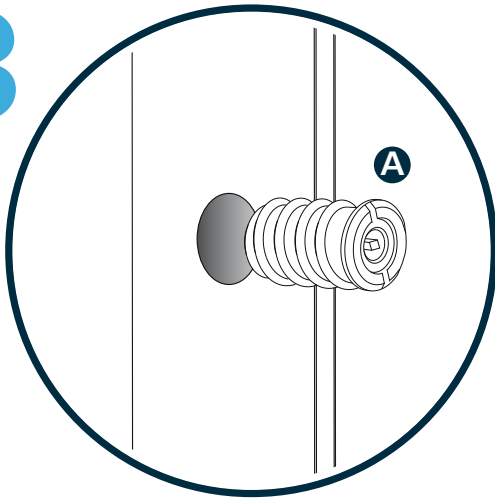
Important!

Close and lock sash before starting installation. Measure 100mm up from top of bottom sash and mark window frame as shown above.

Drill a 14mm diameter hole 30mm deep into the top sash as shown above.

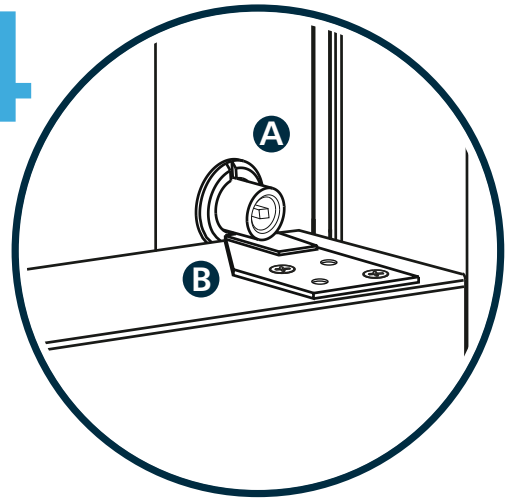
Installation - continued

3



De-activate Locking Ventlock (A) using the Key (C) provided. Screw the Locking Ventlock (A) into the hole using a large flat bladed screwdriver or one of our insertion tools, part code: **VTOOLHAND** or **VTOOLDRILL**.

4



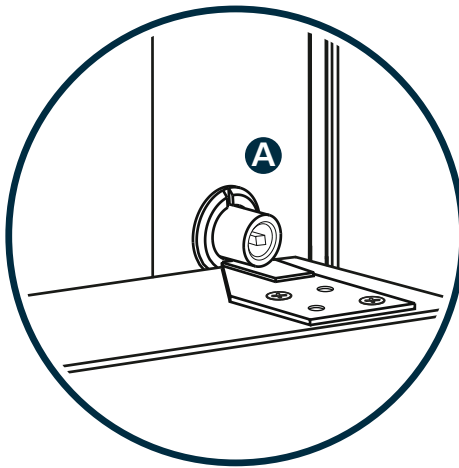
Activate Locking Ventlock (A) using the Key (C) provided. Lower the sash and install the Strike Plate (B).

Operation

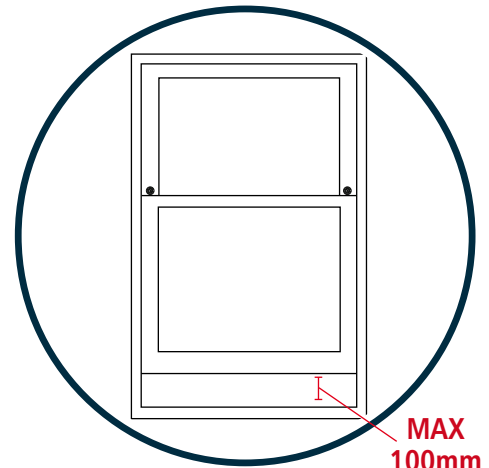
Verify device operates correctly and window opening cannot exceed 100mm.



De-activate Locking Ventlock (A) using the Key (C) provided.



Activate Locking Ventlock (A) using the Key (C) provided.



The window opening cannot exceed 100mm.

Clean the Locking Ventlock with a damp cloth. On a regular basis, ensure the device operates correctly. Consideration should be given before fitting to Egress windows.